

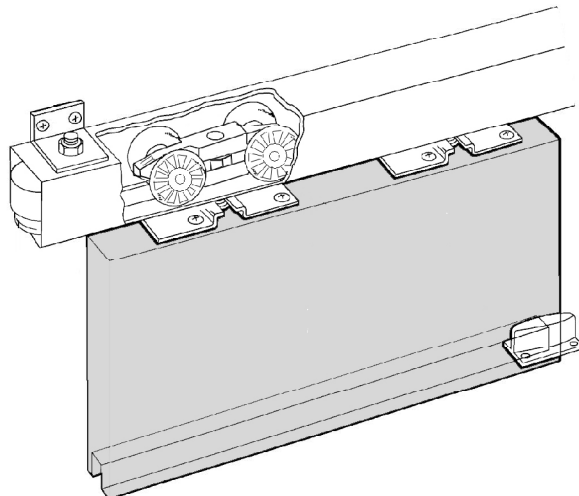
HUSKY 50 INTERIOR 280AL

Capacity:

- Maximum door weight: 50kg.
- Maximum door height: 2400mm.
- Door thickness: 20mm - 50mm.

Application:

This gear is suitable for applications involving timber or metal framed applications. This reliable and highly versatile gear is suitable for interior light commercial applications.



Components:

- Top Track - aluminium (280AL). Available in 1.25m, 1.5m, 2m, 2.5m, 3m, 4m and 4.5m.
- Bracket - Husky, face fix (281/5) - 5 brackets per pack.
- Bracket - Husky, face fix (281/8) - 8 brackets per pack.
- Hanger - Husky, 50kg, top-fix (284N), timber application.
- Hanger - Husky, 50kg, side-fix (284FFP), timber application.
- Hanger - Husky, 100kg, top-fix (285), metal application.
- Stop - inline track stop, (287).
- Guide - nylon, sawcut, (101N).
- Roller Guide - nylon, plate fixing (106RN/94).
- Roller Guide - brass, plate fixing (106R/94).
- Roller Guide - stainless, plate fixing (106RB/94).
- Floor Guide - nylon, (102F/93).
- Guide - bottom, (113/81X).
- Bottom guide channel - alloy, (81X). Available in 1.2m, 1.5m, 1.8m, 2.4m and 3.6m lengths.
- Guide channel - steel (93S). Available in 1.5m lengths.
- Guide channel - brass (94). Available in 1.6m, 2m, 2.5m, 3m and 3.2m lengths.
- Guide channel - aluminium (94X). Available in 1.6m, 2m, 2.5m, 3m and 3.2m lengths.
- Guide channel - polypropylene (94P). Available in 2m, 3m, 4m and 6m lengths.
- Guide channel - polypropylene with aluminium support (94PA). Available in 2m, 3m, 4m and 6m lengths.

Optional Extras:

- Flush Bolts.
- Flush Pulls.
- Locks - a wide variety of locking options are available within the Interlock range of products.

Please note:

- Please refer to component section for component options and technical detail.

HUSKY 50 INTERIOR 280AL

INT



HUSKY 50 INTERIOR 280AL

HUSKY 50 INTERIOR 280AL

